

Version	2.0	Date	5/27/22
Prepared By			

PRODUCT SPECIFICATION

Category	Cut Off Wall Pack
Item Number	9320
Stock Code	LED-FXCWP40/50K/BZ
Mounting	Wall Mount
Housing Color	Bronze



ELECTRICAL CHARACTERISTICS			
Rated Wattage (W)	39	Replacement Wattage (W)	250
Tested Wattage (W)	38.44		
Input Voltage (V)	120-277V	Surge Protect Level	4KV
Voltage Frequency (Hz)	50/60	Dimmable	0-10V
Input Current (A)	0.324	AUX (12V) Line	-
Power Factor	>0.9	Photocell	Included

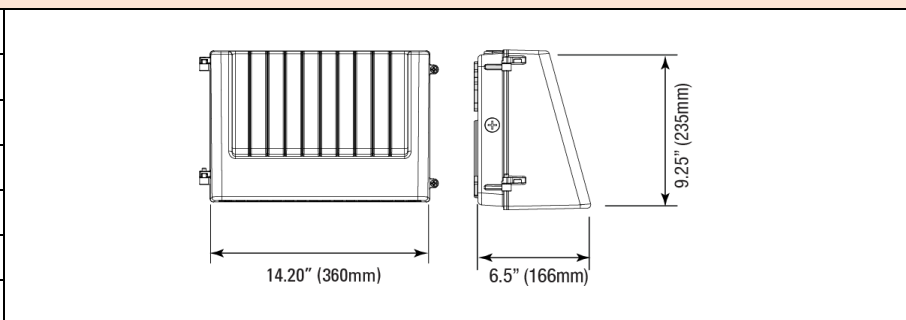
PHOTOMETRIC CHARACTERISTICS			
Lumen (lm)	5,356	CCT (K)	5000K
Efficacy (lm/w)	139	Beam Angle (°)	Cut-Off
CRI	>70		

GENERAL CHARACTERISTICS	
Operating Temperature (°F)	-40°F ~ 122°F
Storage Temperature (°F)	-40°F ~ 176°F
IP Rating	IP65
Rated Life (Hrs)	50,000
Warranty (Yrs)	5

ACCESSORIES		
Item #	Stock Code	Description
7336	BAEM4-60BC/MV-A	4W CEC Compliant LED Emergency Driver
K540380	SEN-ANT-11-WH/BA12V	Microwave Sensor Kit 0-10V
P10316	SEN-BRI-RC100	Remote Programmer for K540380

PRODUCT DIMENSIONS

Width- in / (mm)	14.20" 360
Height- in / (mm)	9.25" 235
Depth- in / (mm)	6.50" 166
EPA (ft²)	-
Weight (lbs)	6.85
Mounting Height (ft)	10~15
Cable Length (ft)	-



CERTIFICATIONS			
UL/ETL	UL/cUL	CEC	
NSF/ETL Sanitation		JA8	
Energy Star		FCC	✓
DLC	5.1 Premium	RoHs	✓

DOCUMENTS			
LM79	✓	IES File	✓
LM80	✓	Dimmer List	

COMMENTS

--	--	--	--